

## PLATUS SERIES

### Fire Clay Apron Front Double Bowl

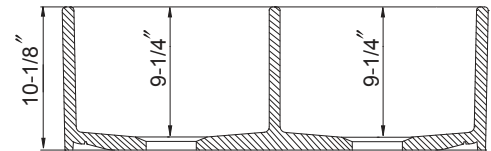
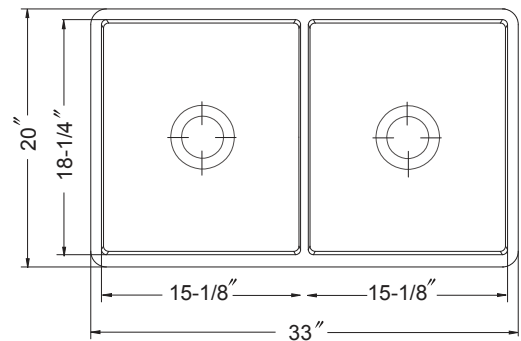
**Model** PTD-4400 WH - White  
PTD-4400 BQ - Biscuit



## FEATURES

PTD-4400

- Apron Front Installation
- Non-porous glossy surface
- 9-1/4" depth
- 3-1/2" drain opening
- Chip, crack and scratch resistant
- 2 distinctive colors
- Requires Custom Cabinet
- Supplied with fasteners and instructions
- No cut out template is supplied as each sink dimension will vary due to the nature of fireclay manufacturing process.
- Lifetime Limited Warranty



## OPTIONAL COLORS



**White**      **Biscuit**

Color variations possible due to printing constraints.

OVERALL DIMENSIONS	EACH BOWL	PACKAGING*	WEIGHT*
33" x 20"	15-1/8" x 18-1/4"	1/10 pcs.	140/1440lbs.

\*Standard packaging: Single boxed /Pallet of single boxed.  
All dimensions are in inches. Specifications subject to change without notice.

## OPTIONAL ACCESSORIES

Bottom Grid: BG-7250  
Strainer : 190-9180

Project/Job name \_\_\_\_\_

Architect/Engineer \_\_\_\_\_

Contractor \_\_\_\_\_

Model \_\_\_\_\_ Q'ty \_\_\_\_\_

Notes \_\_\_\_\_